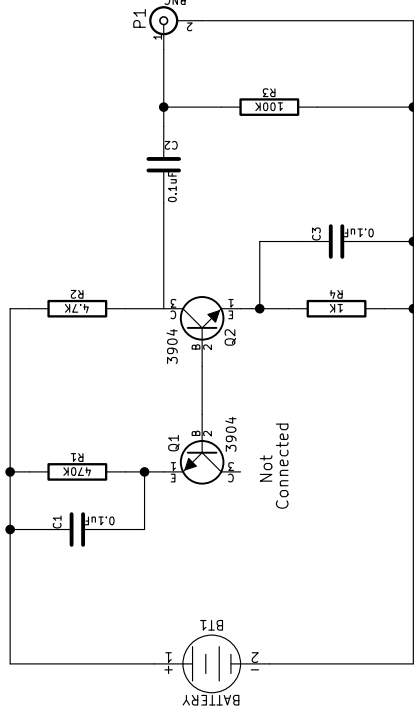
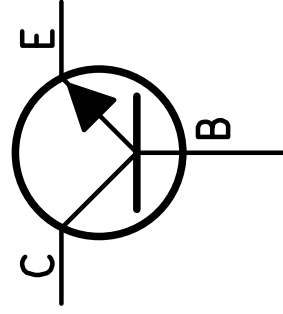
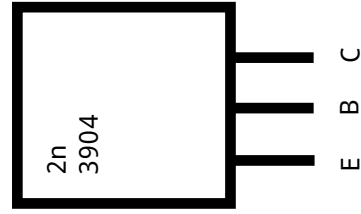


Modified from EEWeb.com noise generator.
Originally from Silicon Chip Jan 2005.

- Resistor markings:
 1000 - Brown Black Red
 4.7K - Yellow Violet Red
 100K - Brown Black Yellow
 470K - Yellow Violet Yellow

0.1uF Capacitors are marked 104



Modified from EEWeb.com noise generator.
Originally from Silicon Chip Jan 2005.

- Resistor markings:
 1000 - Brown Black Red
 4.7K - Yellow Violet Red
 100K - Brown Black Yellow
 470K - Yellow Violet Yellow

0.1uF Capacitors are marked 104

